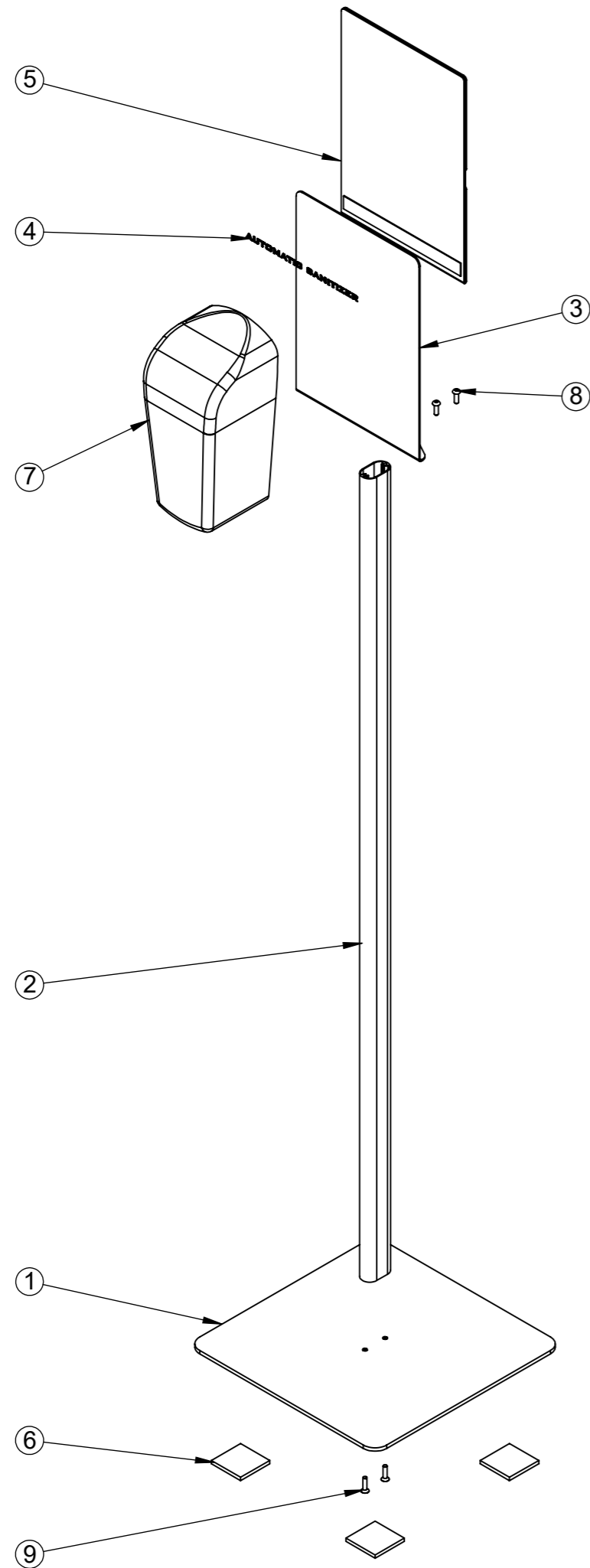



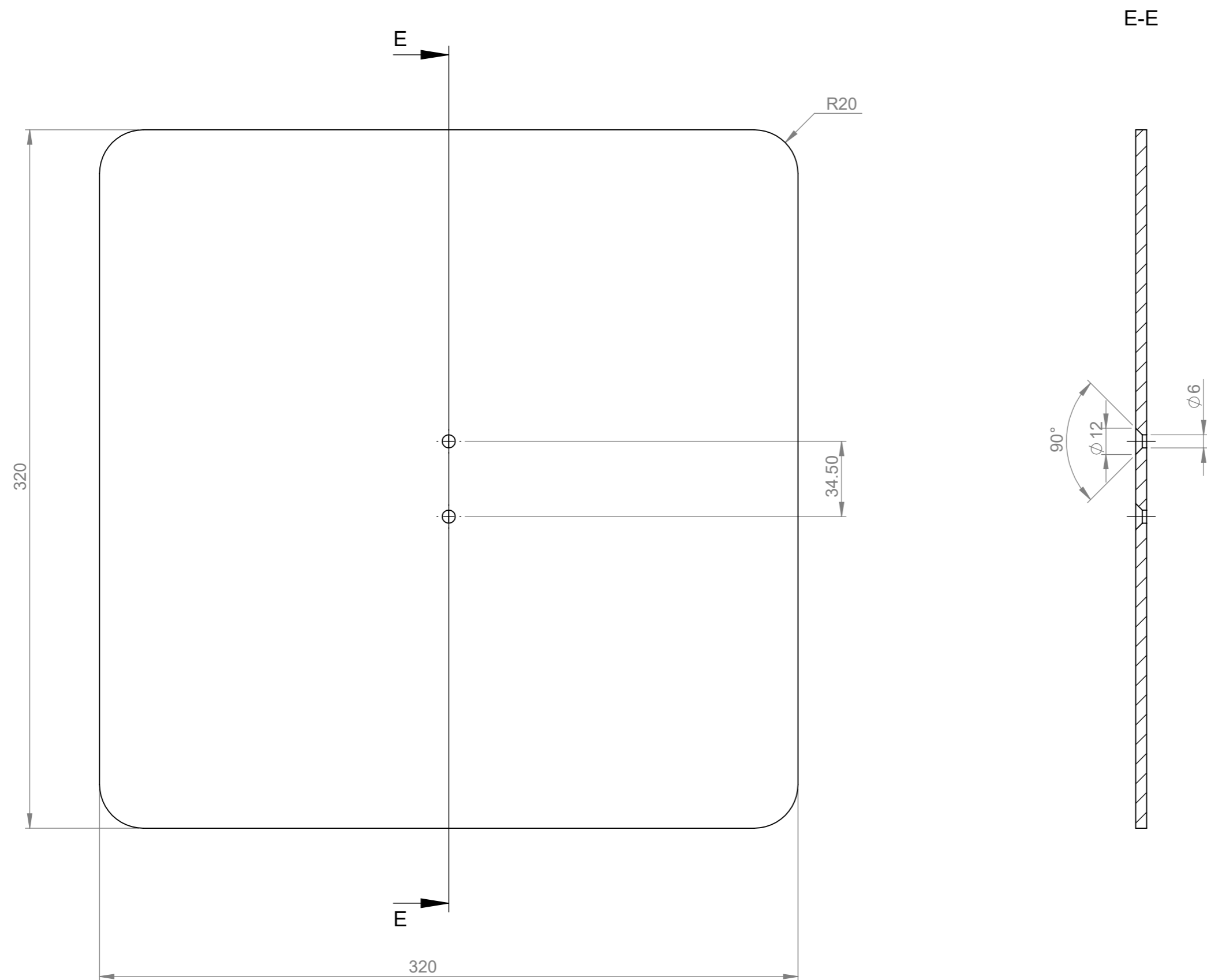
Automatic hand sanitizer		
Investor: SIGN & STORE SOLUTIONS GMBH	Drawing No: 00.00.00	Order: CK
Drawn by: B. Шыков	Material: -	Sheet 1 Total sheets 6
Checked by: -	Finish: RAL 9006	Scale: 1:9
Date: 09.04.2020	Mass: 9.10 kg	A3 "Mouse-PS" LTD




Pos.	Part No	Drawing No	Description	Qty.	Mass	Finish	Material	Notes
1		01.01.00	Base	1	3.98	RAL 9006	S235JR	
2		01.02.00	Column	1	0.70	Anodized	Al 6063	
3		01.03.00	Header	1	1.10	RAL 9006	S235JR	
4		01.04.00	Vinyl text	1	0.00	White	Rubber	
5		01.05.00	Pocket A4	1	0.33	-	-	
6	Textile pad	-	-	4	-	-	-	
7	Dispenser	-	-	1	2.93	RAL	ABS	
8	BOLT - ISO 7380		M5x16	2	-	-	-	
9	BOLT_DIN7991		M5x20mm	2	0.00	-	-	

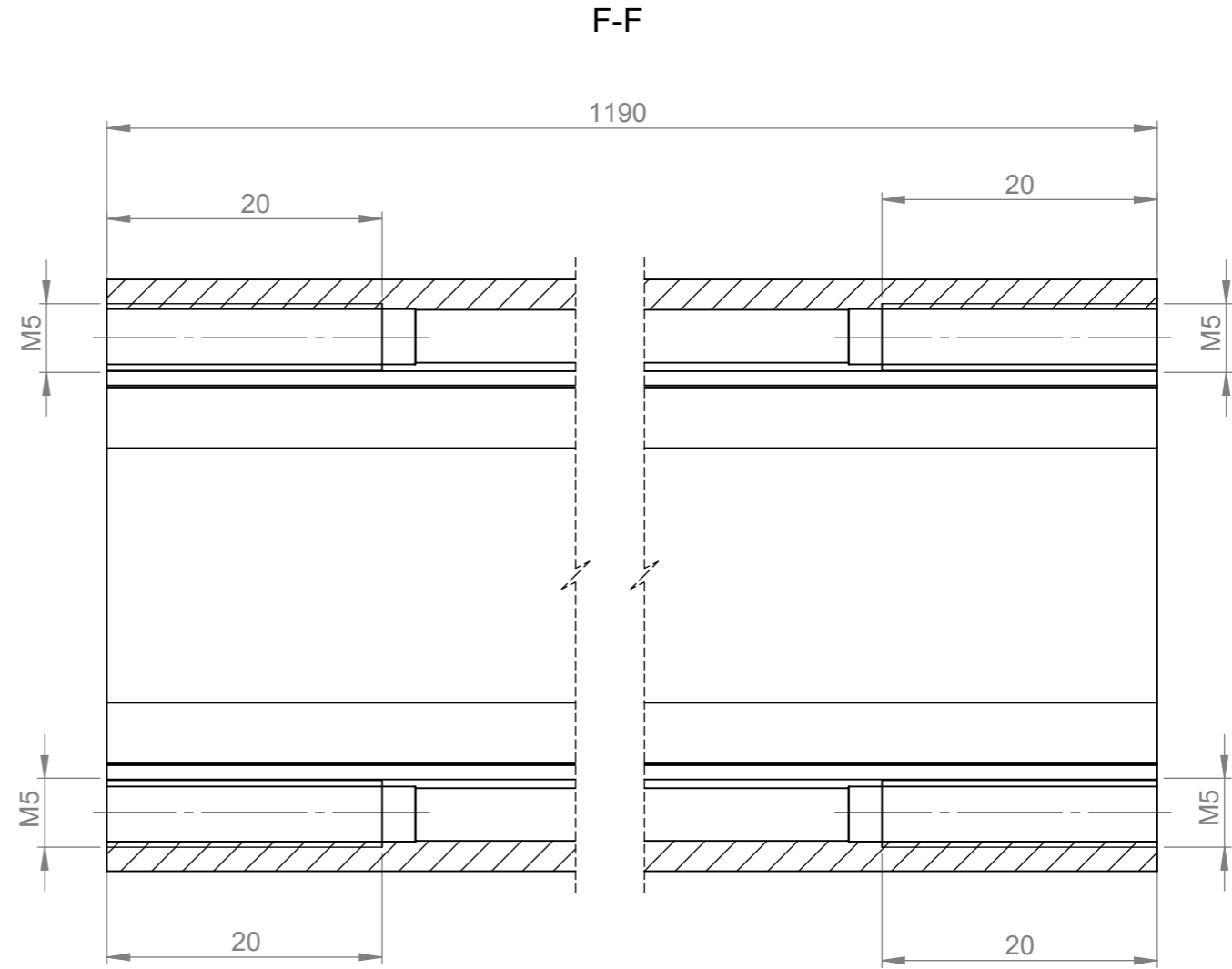
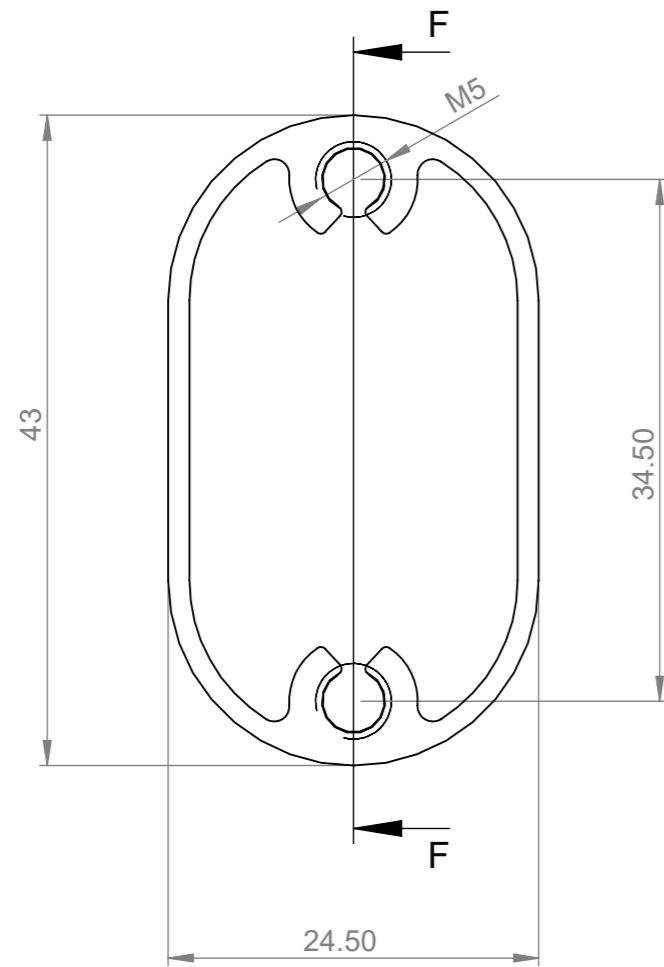
Automatic hand sanitizer		
Investor: SIGN & STORE SOLUTIONS GMBH	Drawing No: 00.00.00	Order: CK
Drawn by: B. Шыков	Material: -	Sheet 2 Total sheets 6
Checked by: -	Finish: RAL 9006	Scale: 1:7
Date: 09.04.2020	Mass: 9.10 kg	"Mouse-PS" LTD 


Pos.	Drawing No	Description	Qty.	Mass	Finish	Material	Notes
1	01.01.00	Base	1	3.98	RAL 9006	S235JR	



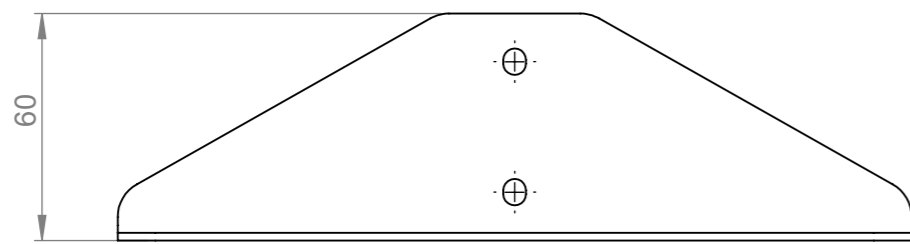
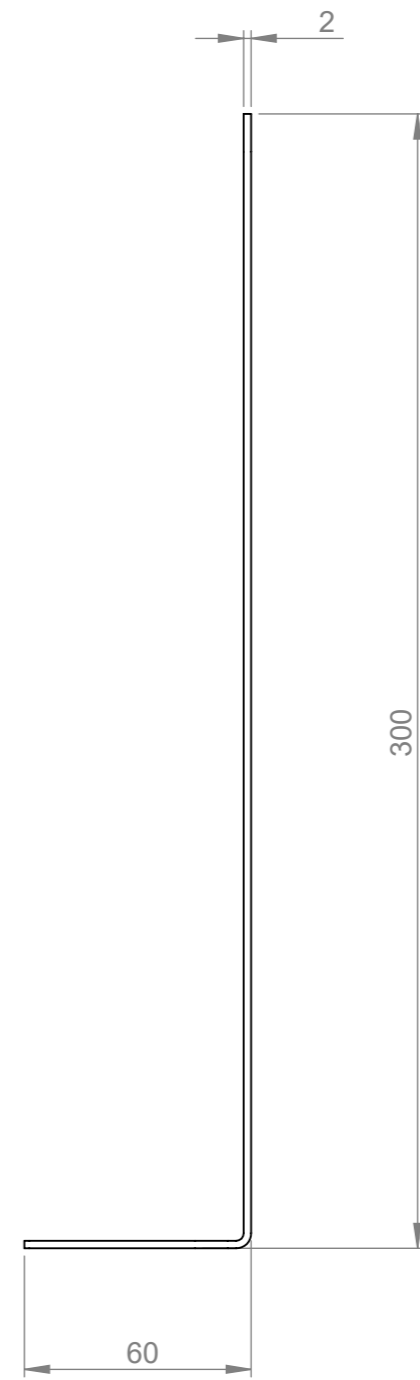
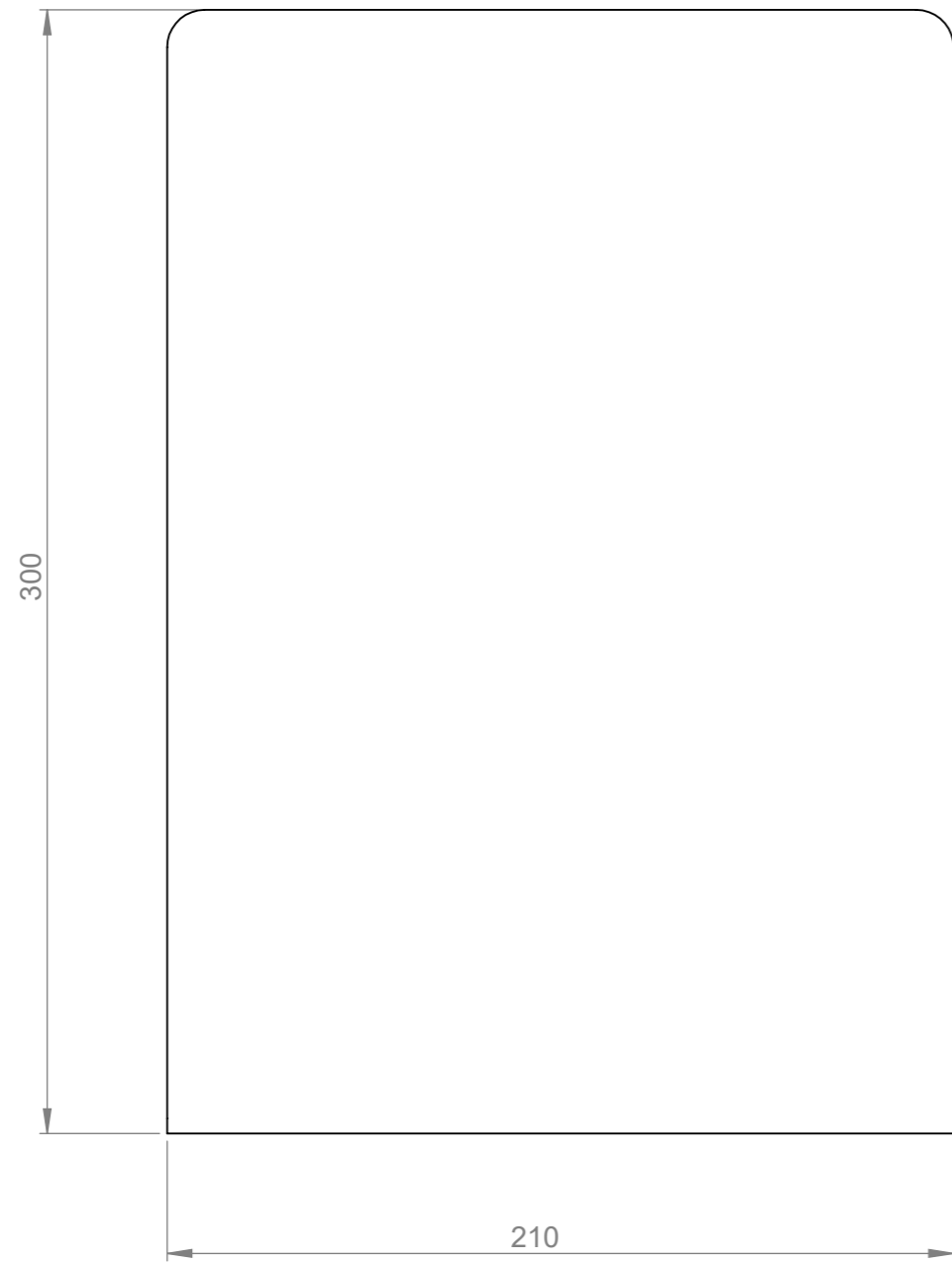
Base		
Investor: SIGN & STORE SOLUTIONS GMBH	Drawing No: 01.01.00	Order: CK
Drawn by: B. Шыков	Material: S235JR	Sheet 3 Total sheets 6
Checked by: -	Finish: RAL 9006	Scale: 1:2
Date: 09.04.2020	Mass: 3.98 kg	A3
		"Mouse-PS" LTD 


Pos.	Drawing No	Description	Qty.	Mass	Finish	Material	Notes
2	01.02.00	Column	1	0.70	Anodized	Al 6063	



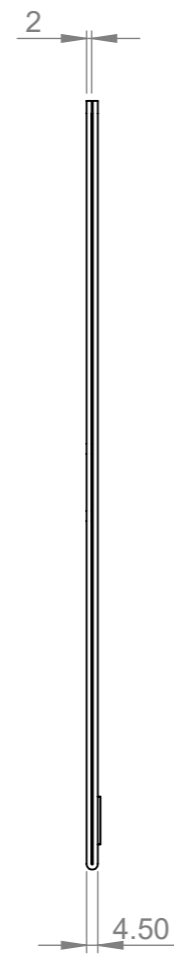
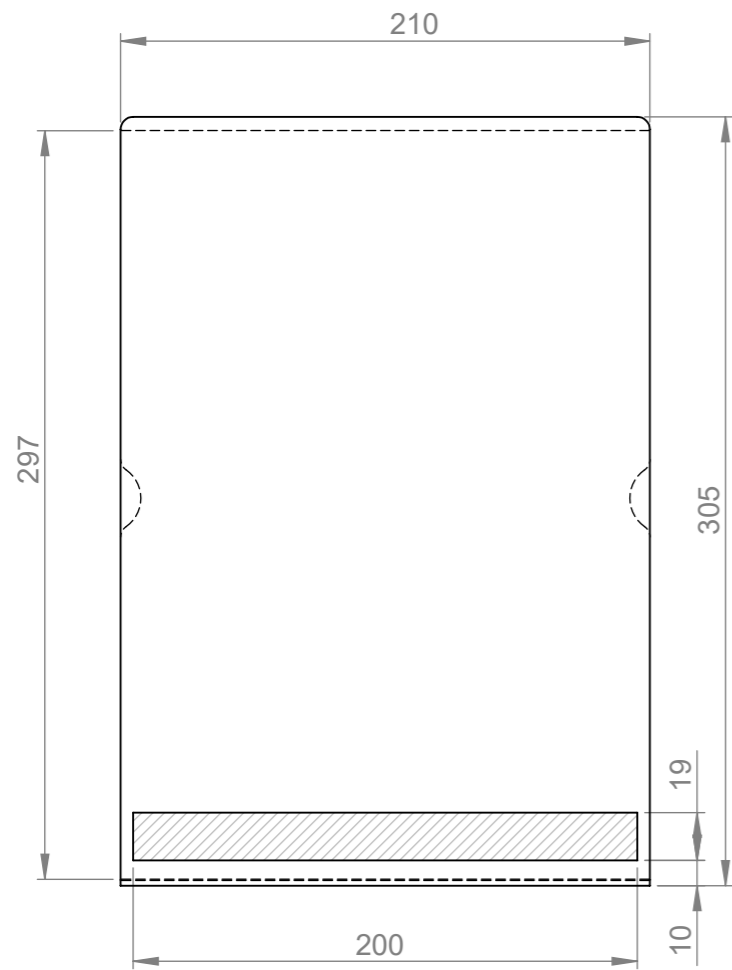
Column		
Investor: SIGN & STORE SOLUTIONS GMBH	Drawing No: 01.02.00	Order: CK
Drawn by: B. Шыков	Material: Al 6063	Sheet 4 Total sheets 6
Checked by: -	Finish: Anodized	Scale: 2:1
Date: 09.04.2020	Mass: 0.70 kg	A3
		"Mouse-PS" LTD 

Pos.	Drawing No	Description	Qty.	Mass	Finish	Material	Notes
3	01.03.00	Header	1	1.10	RAL 9006	S235JR	

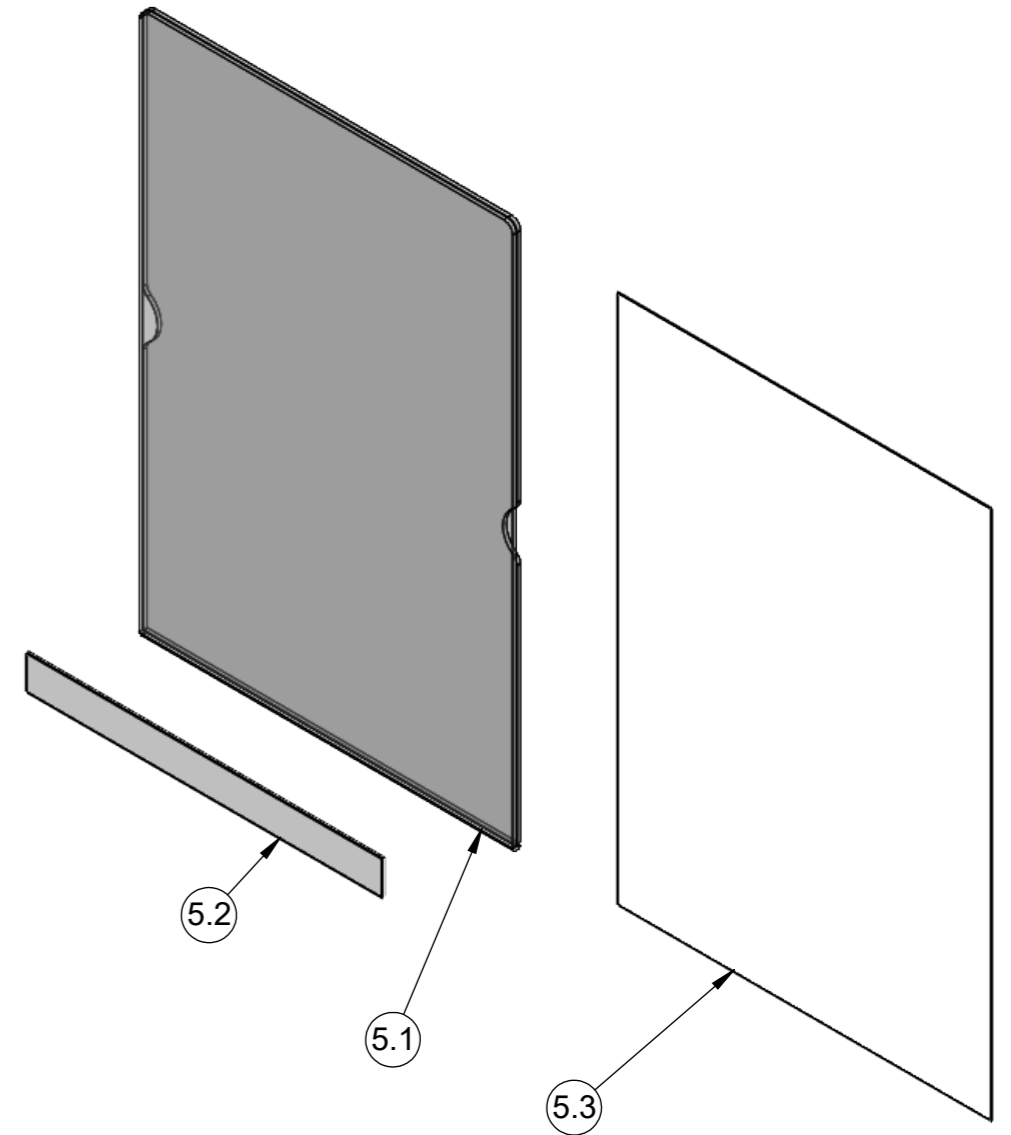
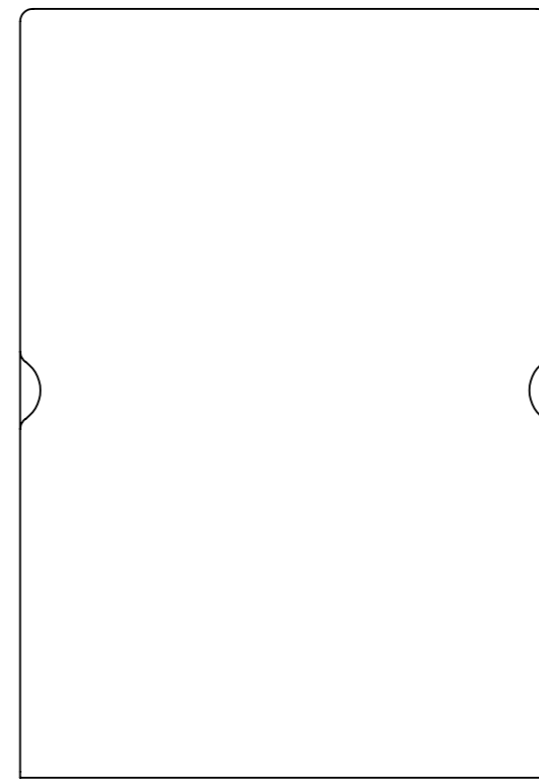


Header		
Investor: SIGN & STORE SOLUTIONS GMBH	Drawing No: 01.03.00	Order: CK
Drawn by: B. Шыков	Material: S235JR	Sheet 5 Total sheets 6
Checked by: -	Finish: RAL 9006	Scale: 1:2
Date: 09.04.2020	Mass: 1.10 kg	A3
		"Mouse-PS" LTD 

Pos.	Part No	Drawing No	Description	Qty.	Mass	Finish	Material	Notes
5.1		05.01.00	Pocket A4	1	0.31	Clear	PETG 2mm	
5.2		05.02.00	Adhesive double tape	1	0.00	-	-	
5.3	A4	-	Paper	1	-	-	Rubber	



BACK VIEW



Pocket A4		
Investor:	Drawing No: 01.05.00	Order: CK
Drawn by: B. Шыков	Material: -	Sheet 6 Total sheets 6
Checked by: -	Finish: -	Scale: 1:3
Date: 07.01.2020	Mass: 0.33 kg	A3
		"Mouse-PS" LTD 