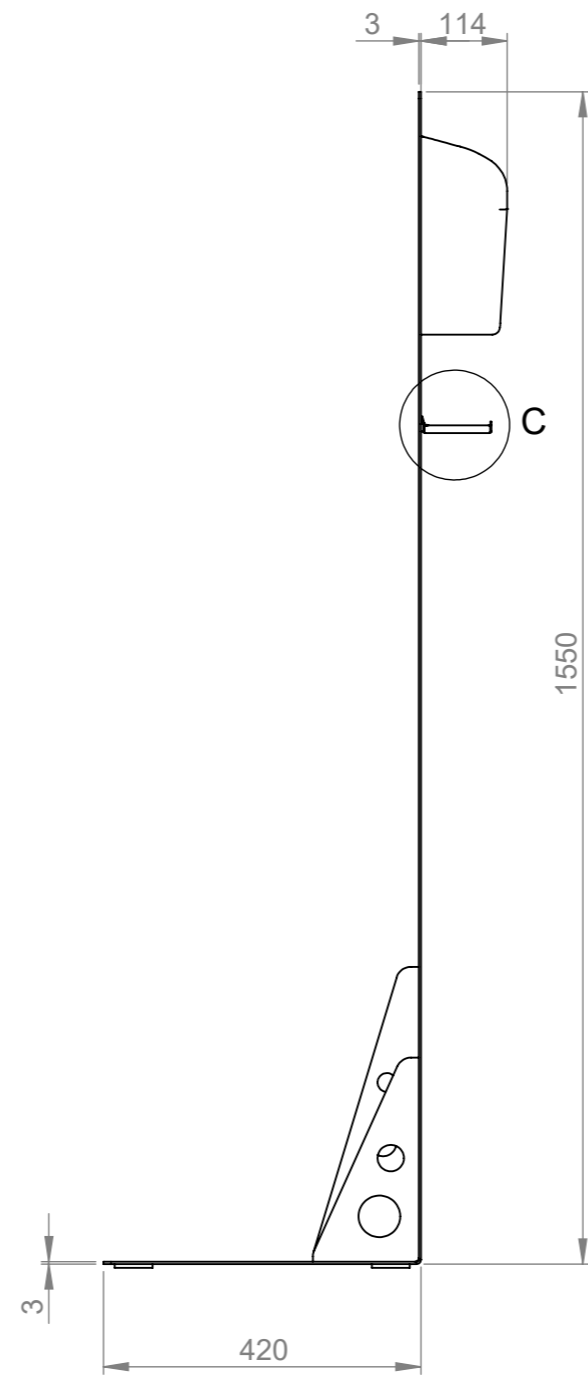
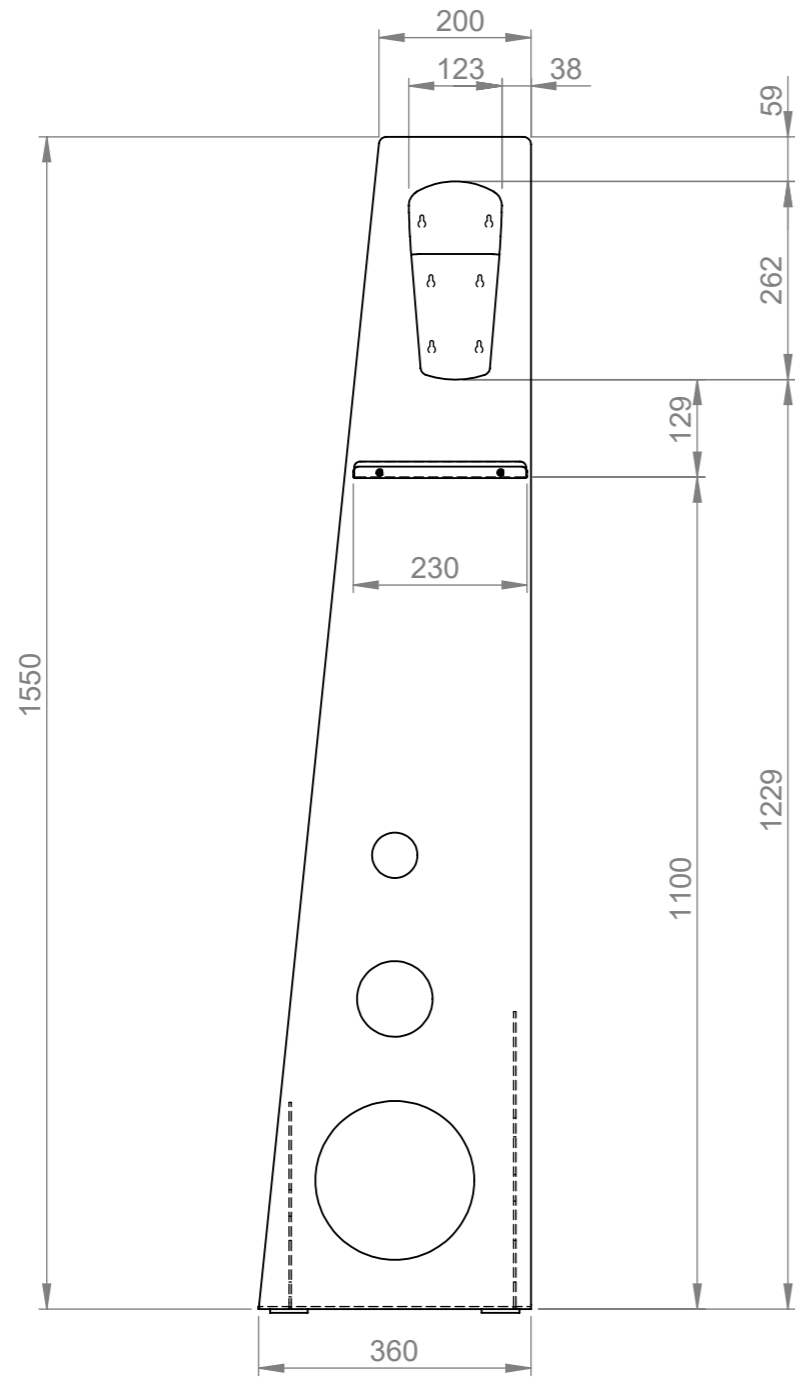
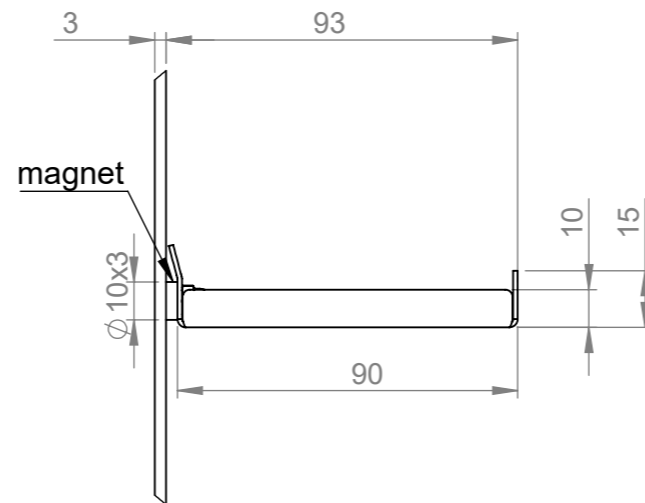
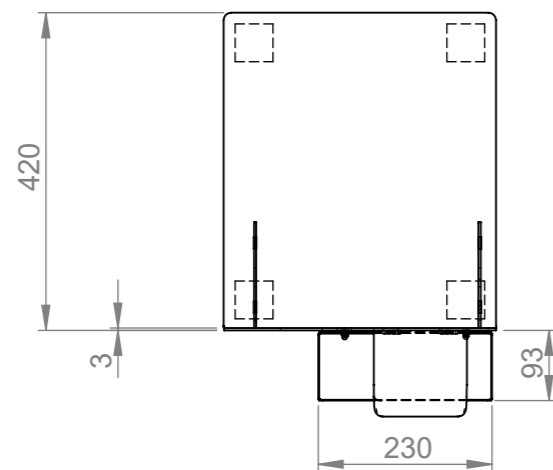


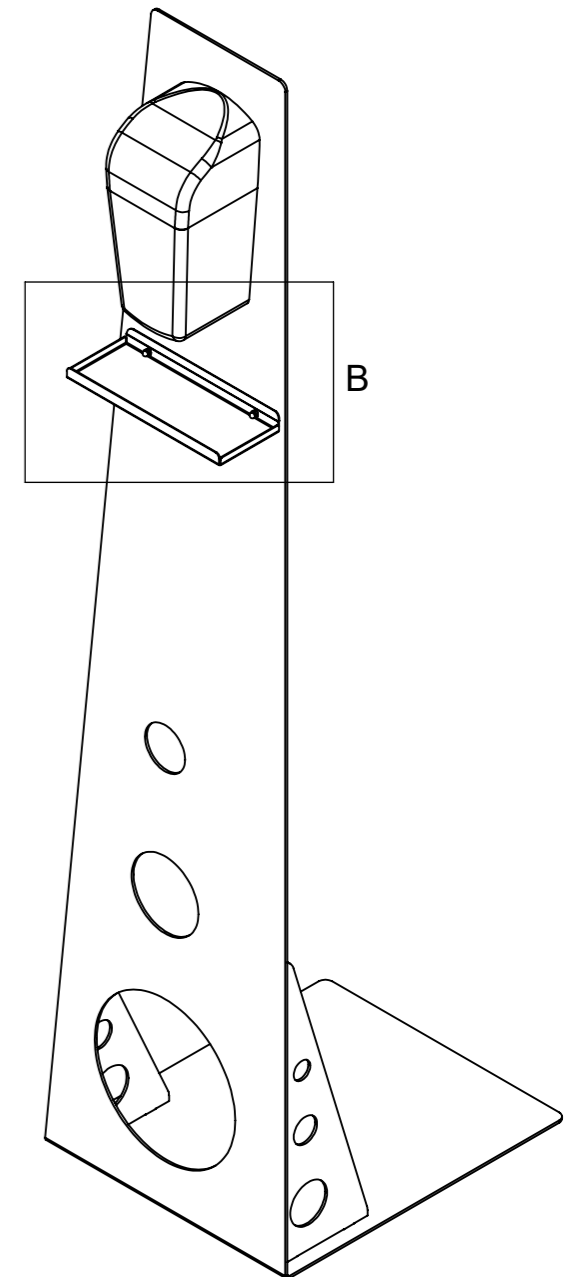
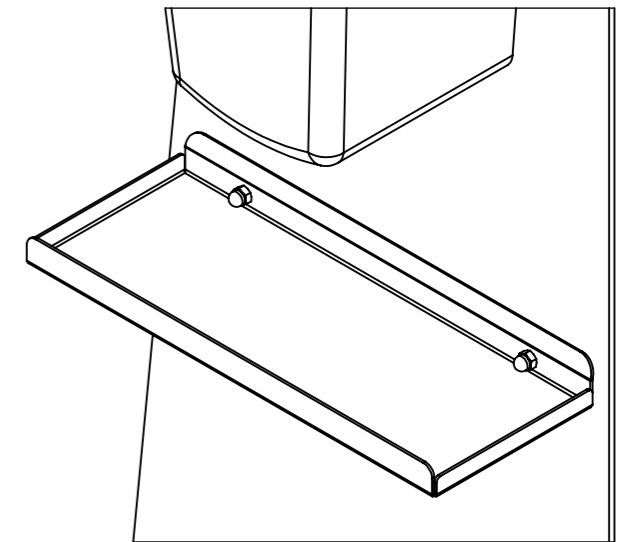
ADDITIONAL OPTION



C  
SCALE 1 : 2

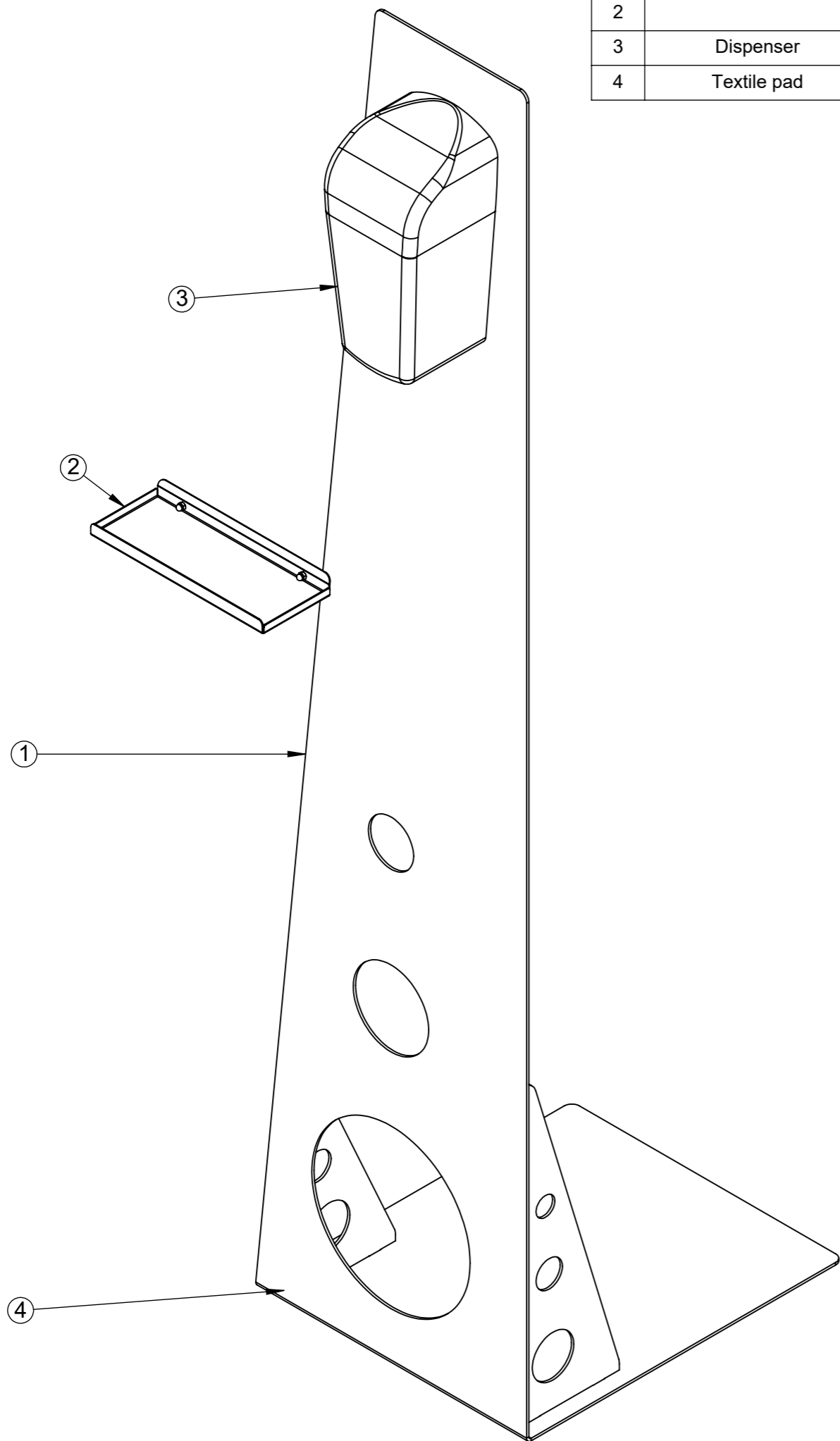


B  
SCALE 1 : 3




Desinfection holder		
Investor: SIGN & STORE SOLUTIONS GMBH	Drawing No: S2.00.00.00	Order: CK 01008/01034
Drawn by: B. Шыков	Material: -	Sheet 4 Total sheets 6
Checked by: -	Finish: RAL 9006/RAL 3020	Scale: 1:10
Date: 10.04.2020	Mass: 16.97 kg	A3 "Mouse-PS" LTD

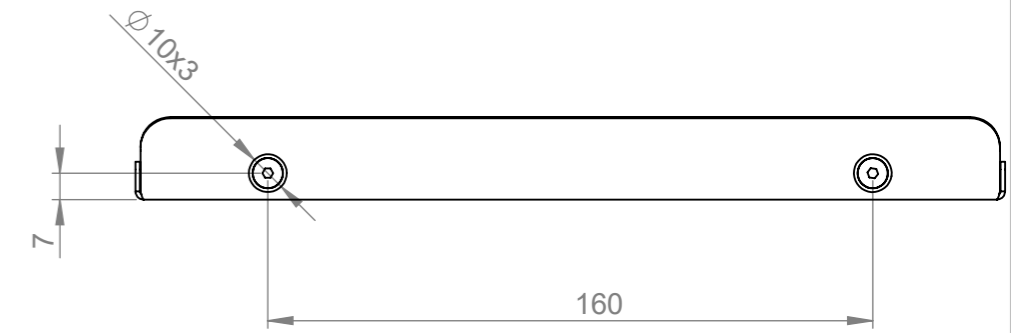
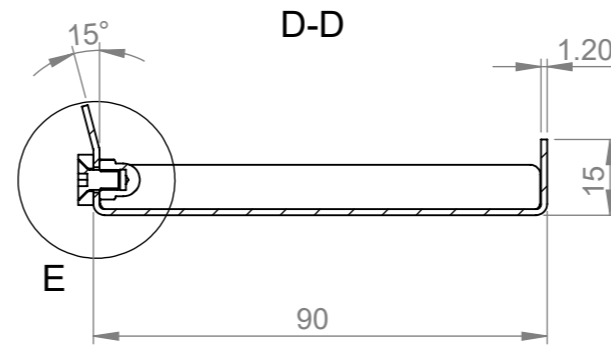
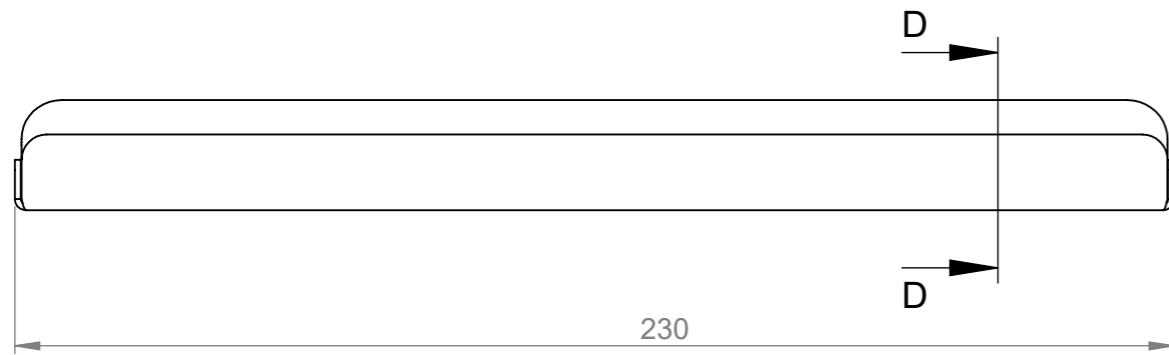
Pos.	Part No	Drawing No	Description	Qty.	Mass	Finish	Material	Notes
1		S2.01.01.00	Desinfection holder	1	13.71	RAL 9006/ RAL 3020	S235JR	
2		S2.01.02.00	Base plate	1	0.28	RAL 9006/ RAL 3020	-	
3	Dispenser	-		1	-	-	-	
4	Textile pad	-	-	4	-	-	-	



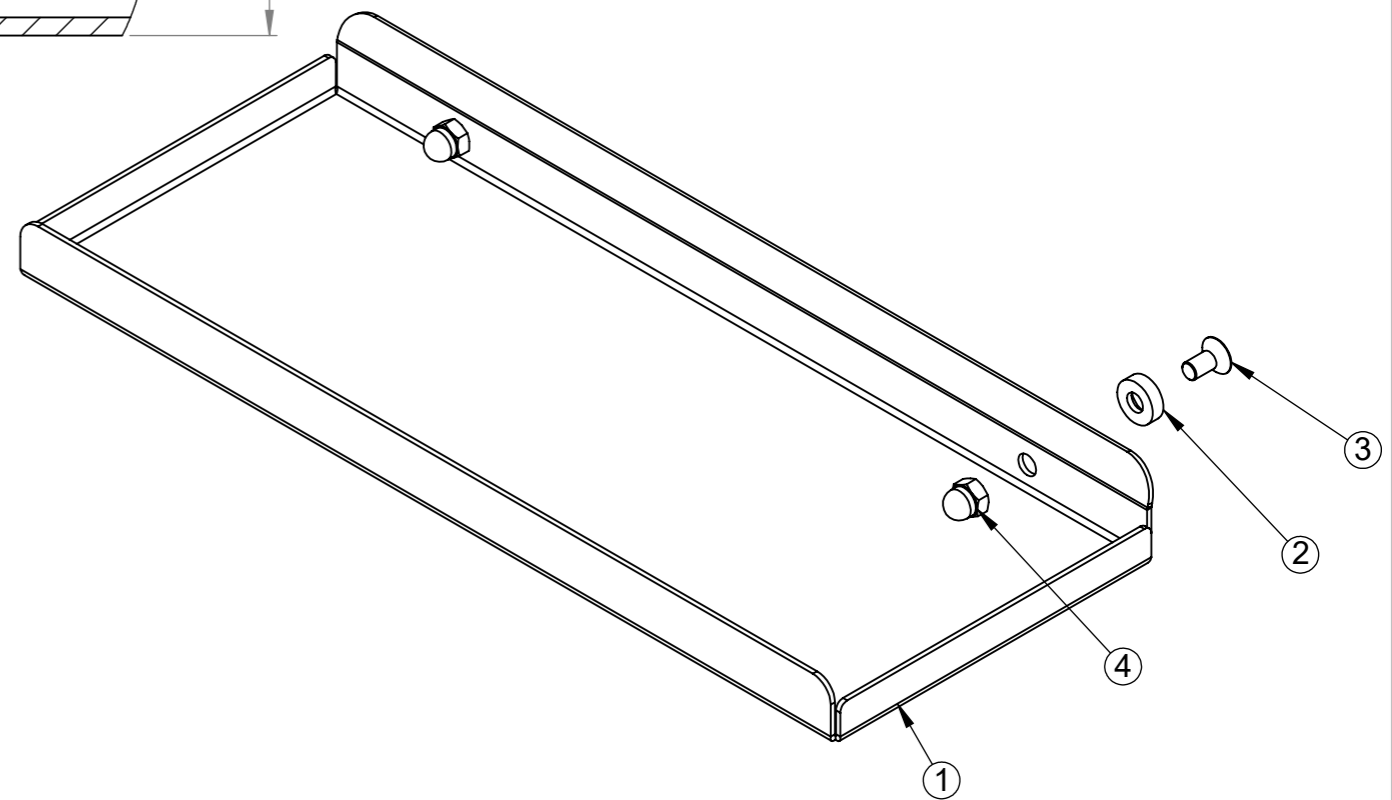
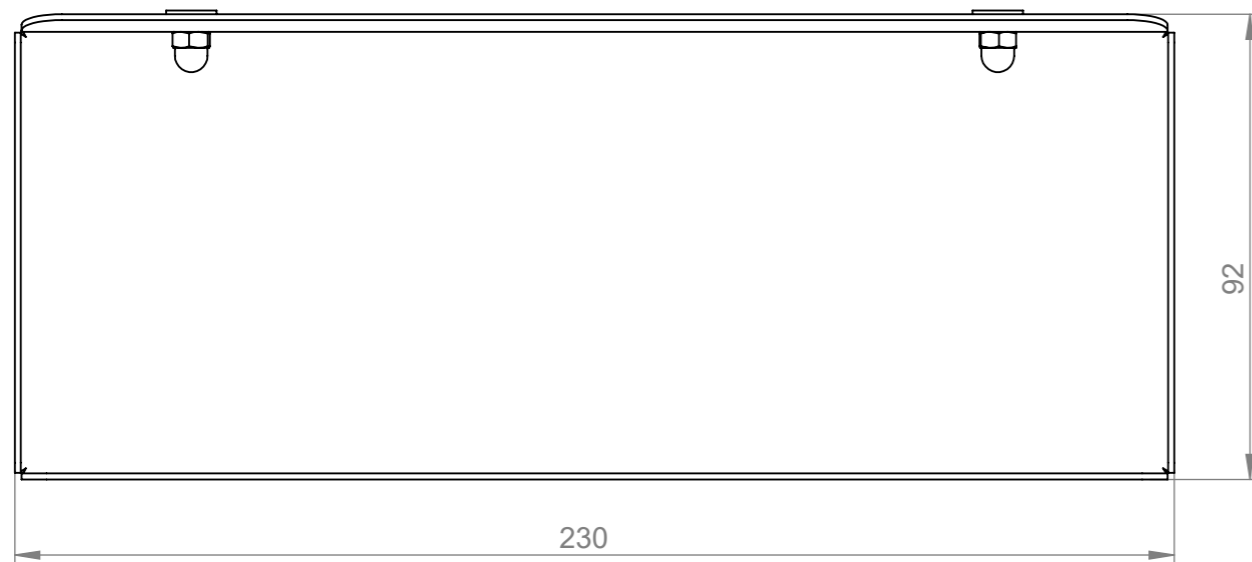
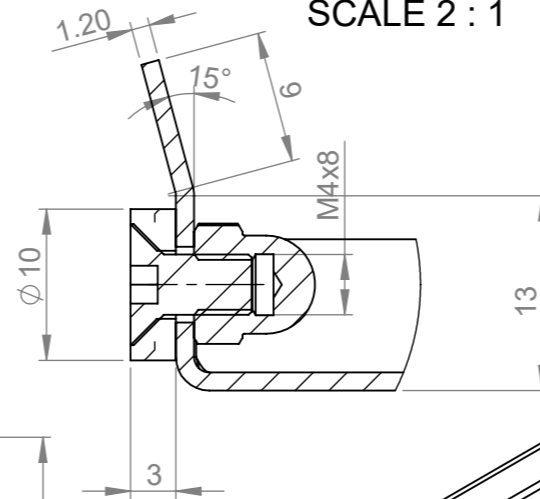
ADDITIONAL OPTION

Desinfection holder		
Investor: SIGN & STORE SOLUTIONS GMBH	Drawing No: S2.00.00.00	Order: CK 01008/01034
Drawn by: B. Шыков	Material: -	Sheet 5 Total sheets 6
Checked by: -	Finish: RAL 9006/RAL 3020	Scale: 1:5
Date: 10.04.2020	Mass: 16.97 kg	A3 "Mouse-PS" LTD 

Pos.	Part No	Drawing No	Description	Qty.	Mass	Finish	Material	Notes
1		S2.01.02.01	Base plate	1	0.28	RAL 9006/ RAL 3020	S235JR	
2	Neodymium magnet	-	10x3mm/M4	2	-	-	NdFeB (fully sintered)	
3	Bolt_DIN7991		M4x8mm	2	0.00	-	-	
4	Nut DIN 1587 - M4			2				



E  
SCALE 2 : 1



Investor:	Drawing No: 00.00.00	Order: CK
Drawn by: B. Шыков	Material: -	Sheet 6 Total sheets 6
Checked by: -	Finish: RAL	Scale: 1:1.5
Date: 07.01.2020	Mass: 0.28 kg	"Mouse-PS" LTD